

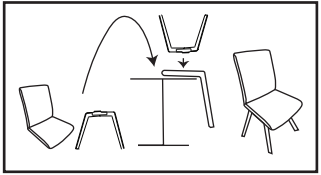
HYGGE DINING and COUNTER

Assembly base 2000 and 3000

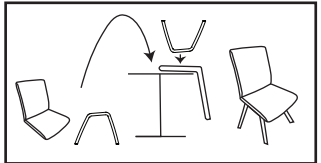
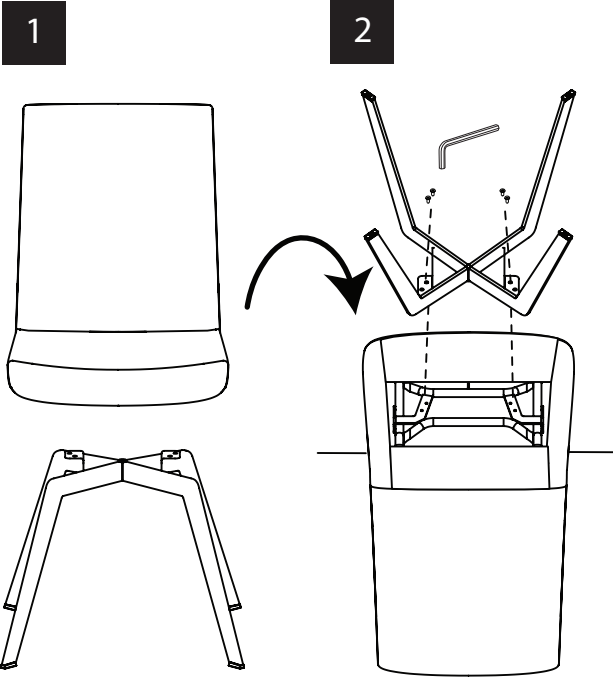


Please visit h2seating.com
or scan QR code for more information

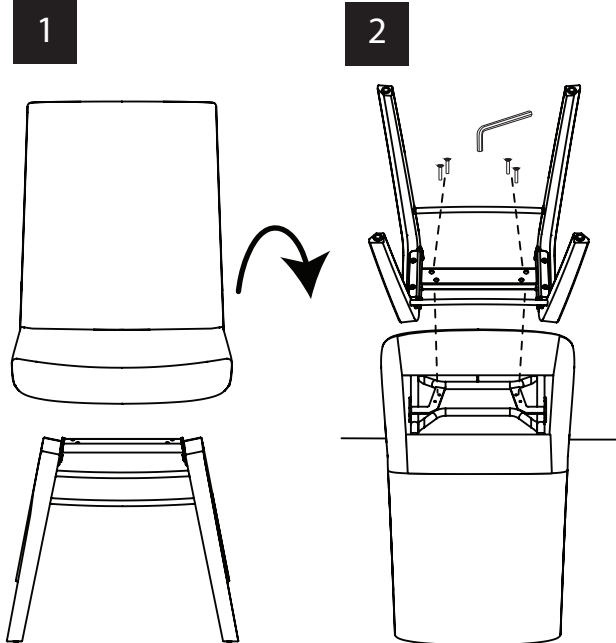




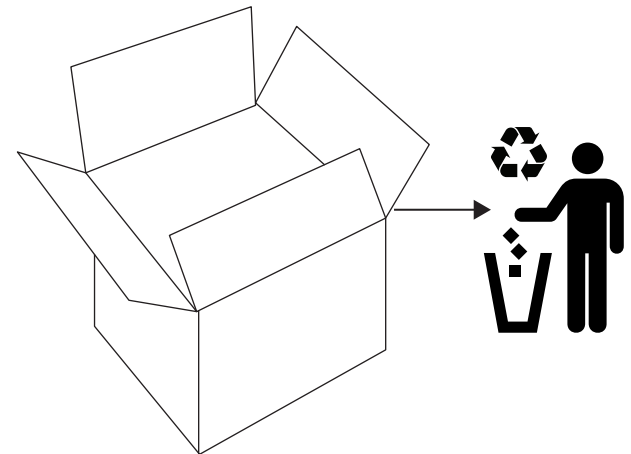
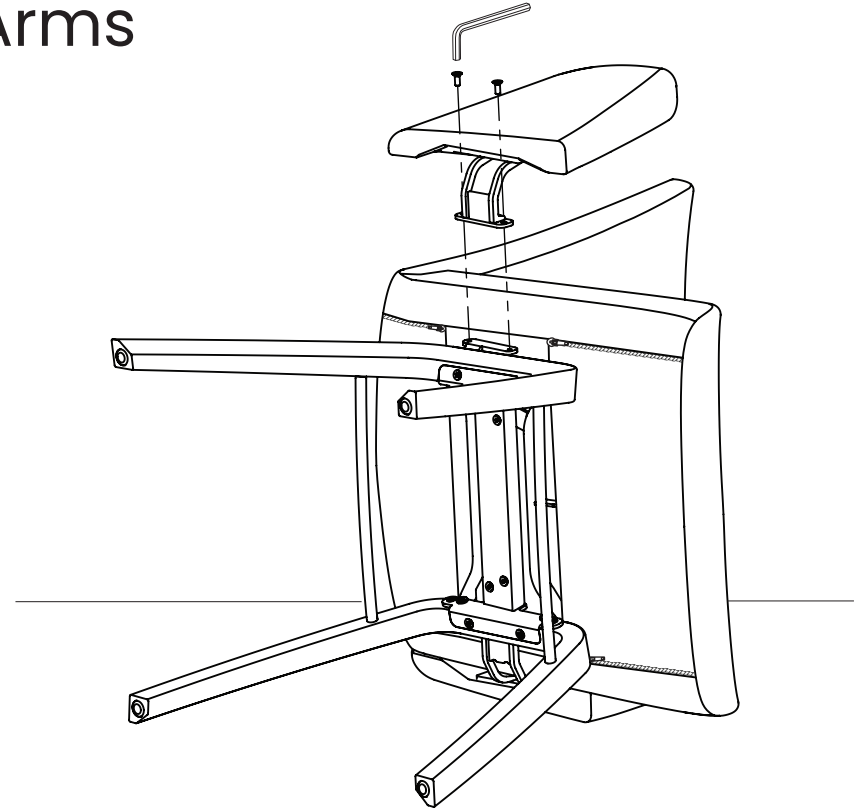
Base
2000

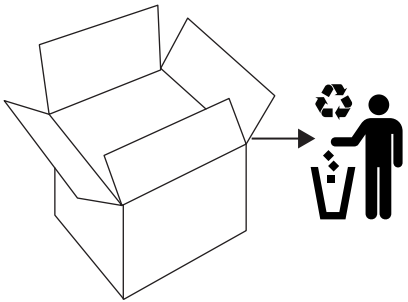
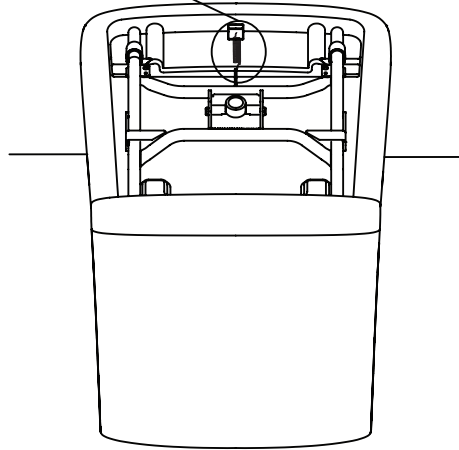
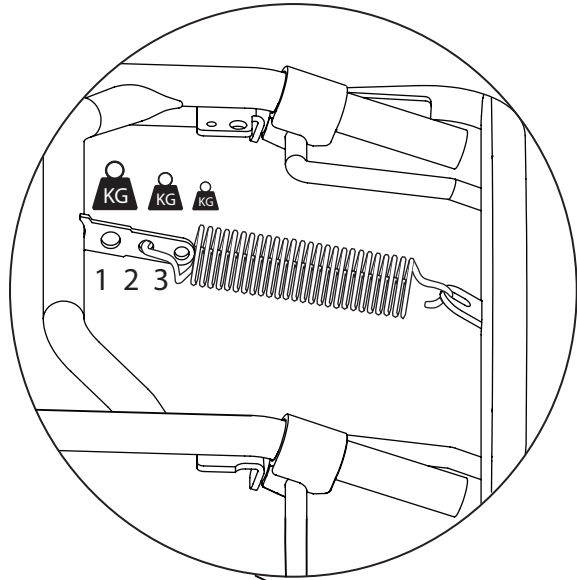


Base
3000



Assembly Arms

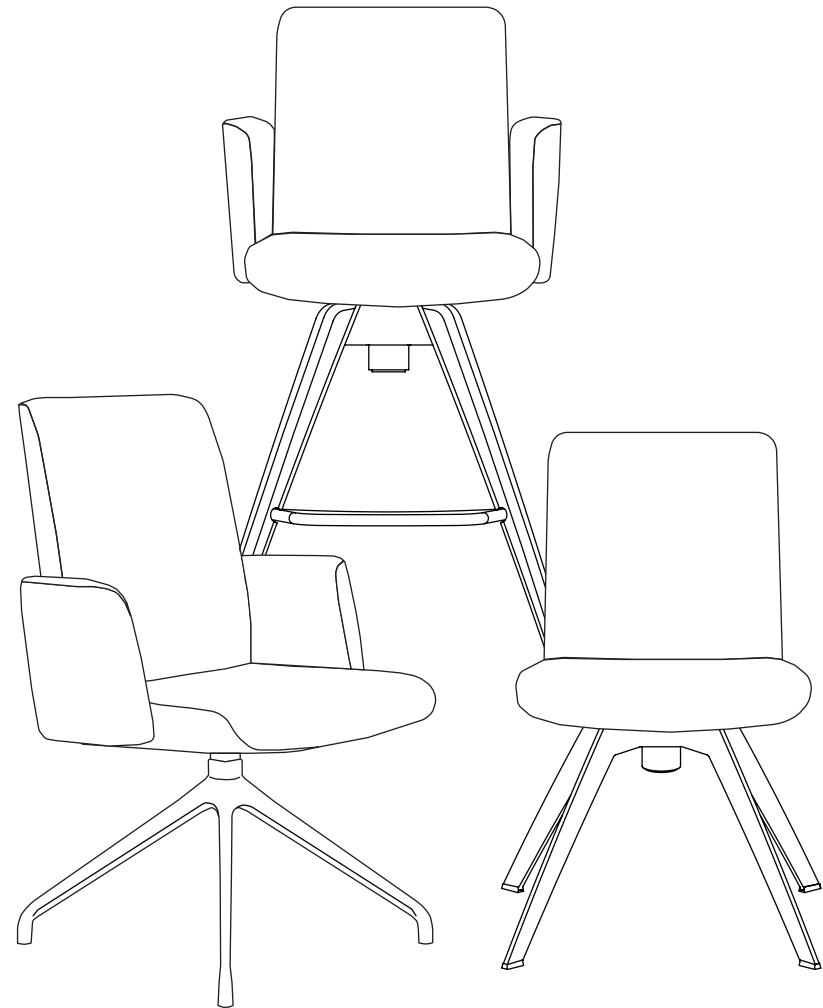




Please visit h2seating.com
or scan QR code for more information



HYGGE DINING and COUNTER Assembly base 7000-8000-9000

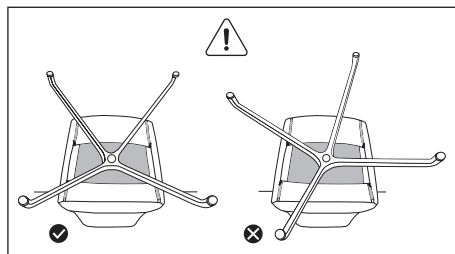
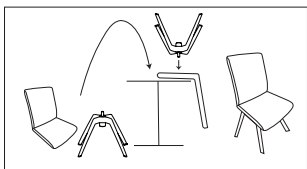
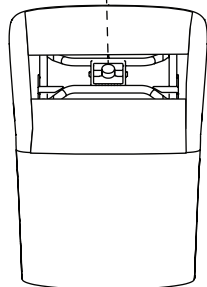
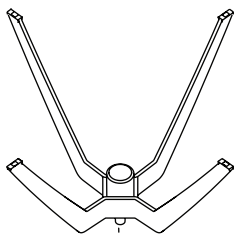
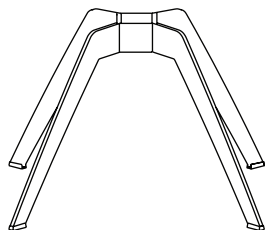


Base 7000

1



2

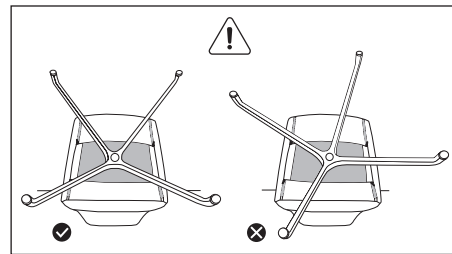
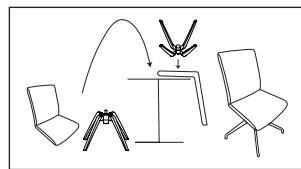
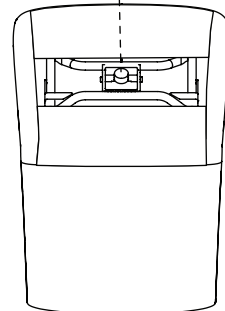
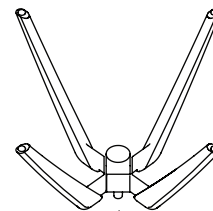
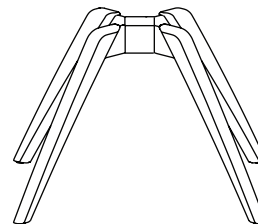


Base 9000

1



2

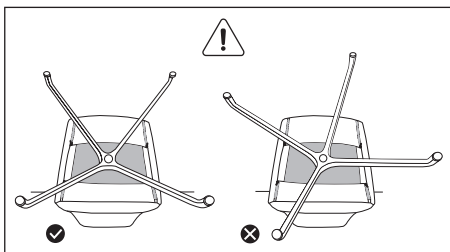
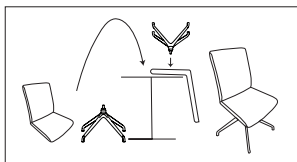
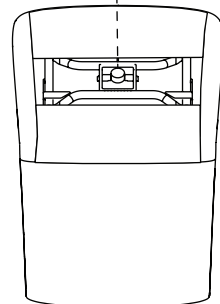
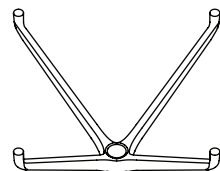
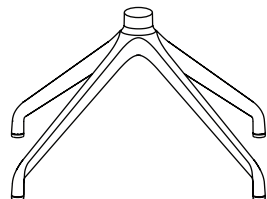


Base 8000

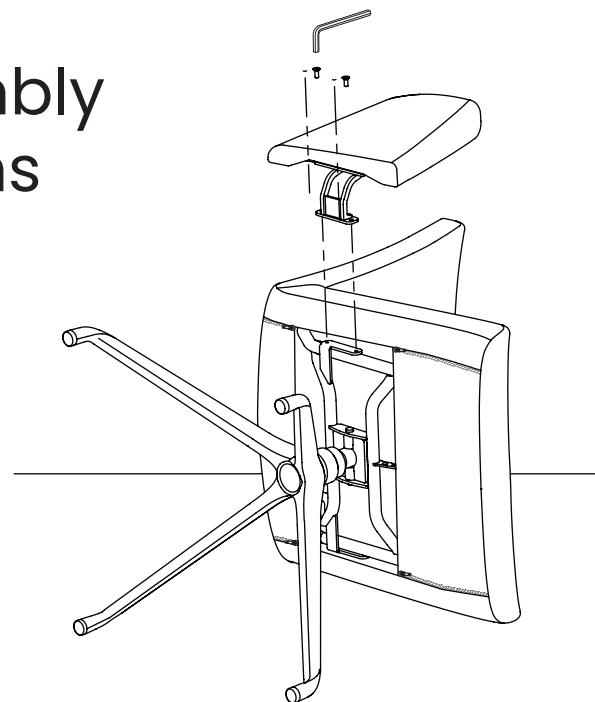
1



2



Assembly Arms





HYGGE DINING

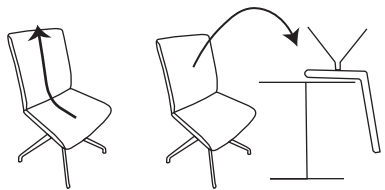
Cover Removal and Upholsering



Please visit h2seating.com
or scan QR code for more information

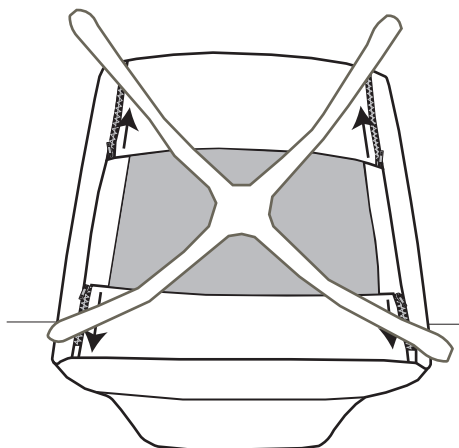


Applies to all Dining - and Counter chairs

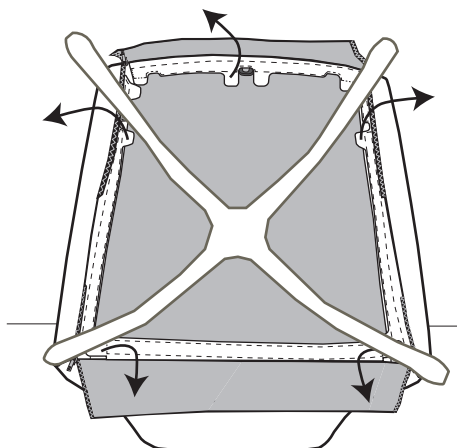


Cover Removal ↑

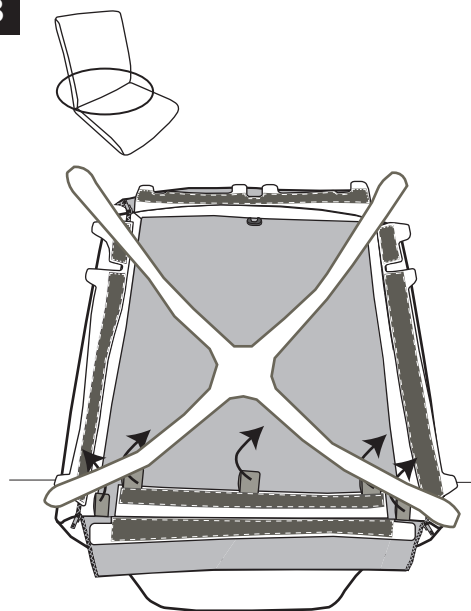
1



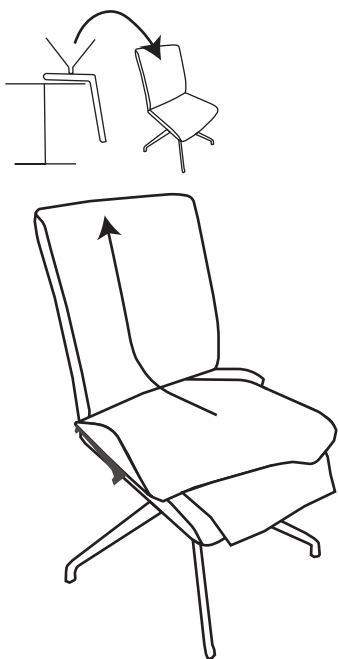
2



3

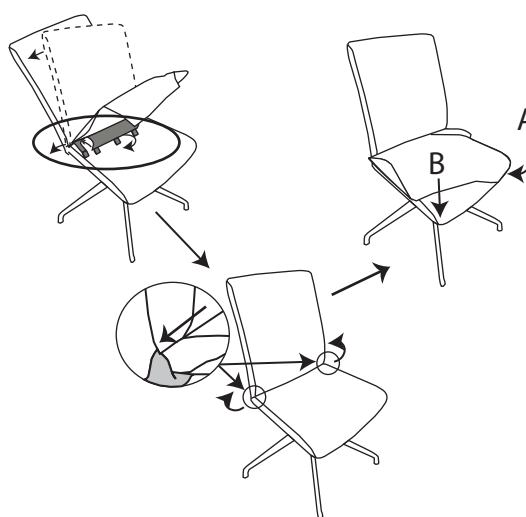


4

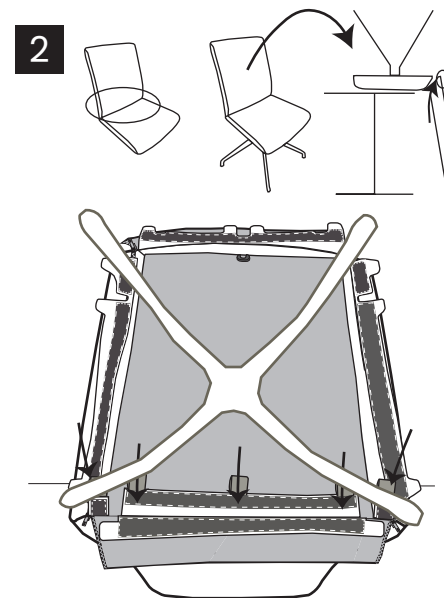


Cover Upholserting ↓

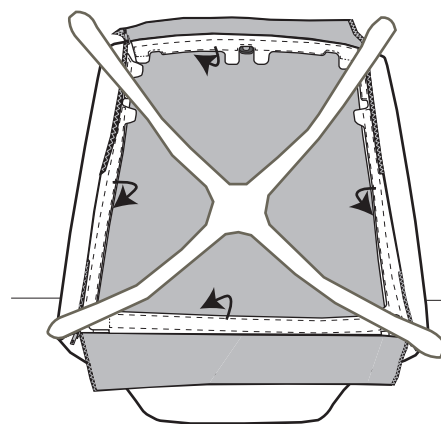
1



2



3



4

